



Cnr Round Island & Booral Roads  
PO Box 289 Hervey Bay Queensland 4655

Tel: (07) 4125 4877 Fax: (07) 4125 4299

Email: classicdoors@bigpond.com  
Web address: www.classicdoors.com.au

Page  of

B&S Ref No

Business Name: \_\_\_\_\_

Telephone: \_\_\_\_\_

Date: \_\_\_\_/\_\_\_\_/\_\_\_\_ Fax: \_\_\_\_\_

Quote:

Order:

Order No/Name: \_\_\_\_\_

**Timber**

Door Style

Species   
& Colour if applicable

Raw  Finish \_\_\_\_\_  
Gloss Level \_\_\_\_\_

**Routed**

Door Style

18mm   
16mm

Raw  Finish \_\_\_\_\_  
2 Pack Painted  Gloss   
Textured  Satin  Metallic   
Colour \_\_\_\_\_  
Paint Code \_\_\_\_\_

Edge Profile  3mm Round  Square  Quirk   
 5mm Round  Arris  Bevelled

Profile and Paint Edge     L No Profile But Paint Edge     X No Profile and No Paint  
 U Profile Front and Back, Return Paint     R No Profile But, Return Paint 70mm     S Profile Front, Square Back Edge & Return Paint 70mm

Rail Draws     Split Draws     Edge Draw Cuts  Yes  No

**4 Draw drawbank**

No of Sets <input type="checkbox"/>	No of Sets <input type="checkbox"/>	No of Sets <input type="checkbox"/>
Width   _____	Width   _____	Width   _____
Edge Details L R T B	Edge Details L R T B	Edge Details L R T B
<input type="checkbox"/>	<input type="checkbox"/>	<input type="checkbox"/>

**2 Draw drawbank**

No of Sets <input type="checkbox"/>	No of Sets <input type="checkbox"/>
Width   _____	Width   _____
Edge Details L R T B	Edge Details L R T B
<input type="checkbox"/>	<input type="checkbox"/>

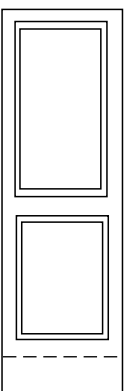
**3 Draw drawbank**

No of Sets <input type="checkbox"/>	No of Sets <input type="checkbox"/>	No of Sets <input type="checkbox"/>
Width   _____	Width   _____	Width   _____
Edge Details L R T B	Edge Details L R T B	Edge Details L R T B
<input type="checkbox"/>	<input type="checkbox"/>	<input type="checkbox"/>

**5 Draw drawbank**

No of Sets <input type="checkbox"/>
Width   _____
Edge Details L R T B
<input type="checkbox"/>

**Custom Pantry**



Edge Details L R T B

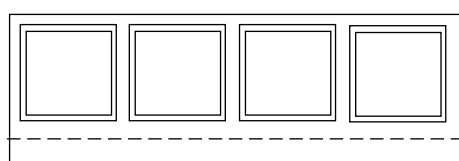
No	Height	Width	L	R	T	B

Note: Mark all non std measurements on drawing

— 50mm Rail  
— Kick Height

**Custom Bar Panel**

Note: Mark all non std measurements on Drawing



— Rail Height  
— Kick Height

Edge Details L R T B

No/Panel	No	Height	Width	L	R	T	B